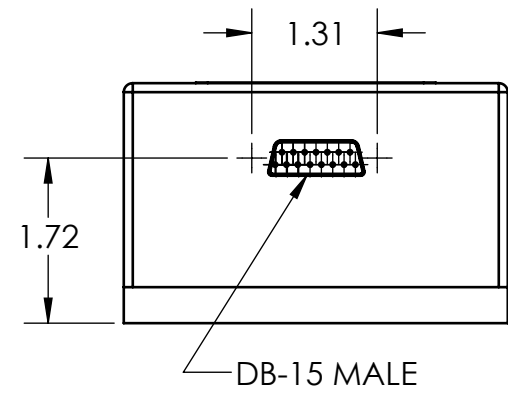
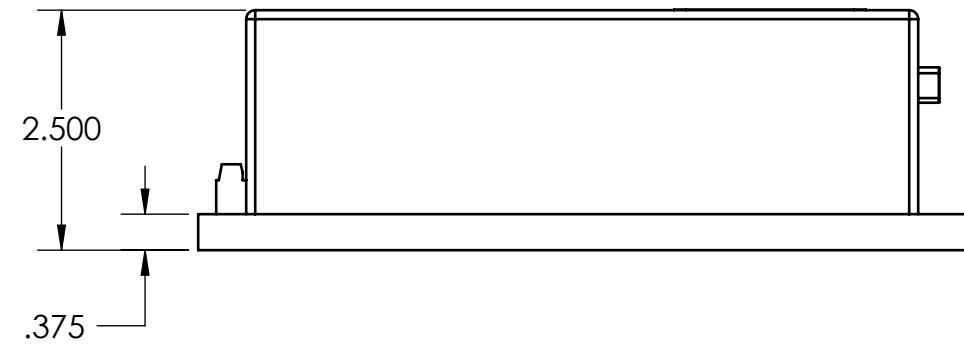
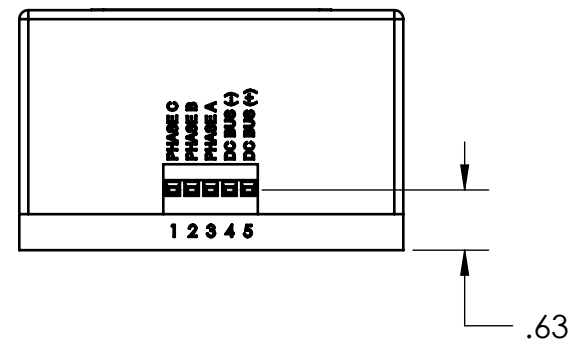
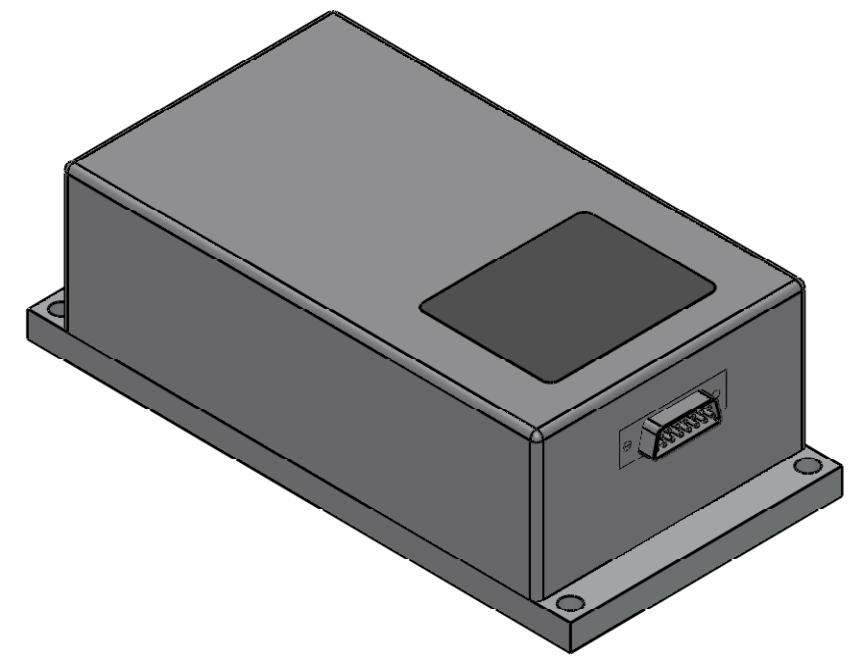
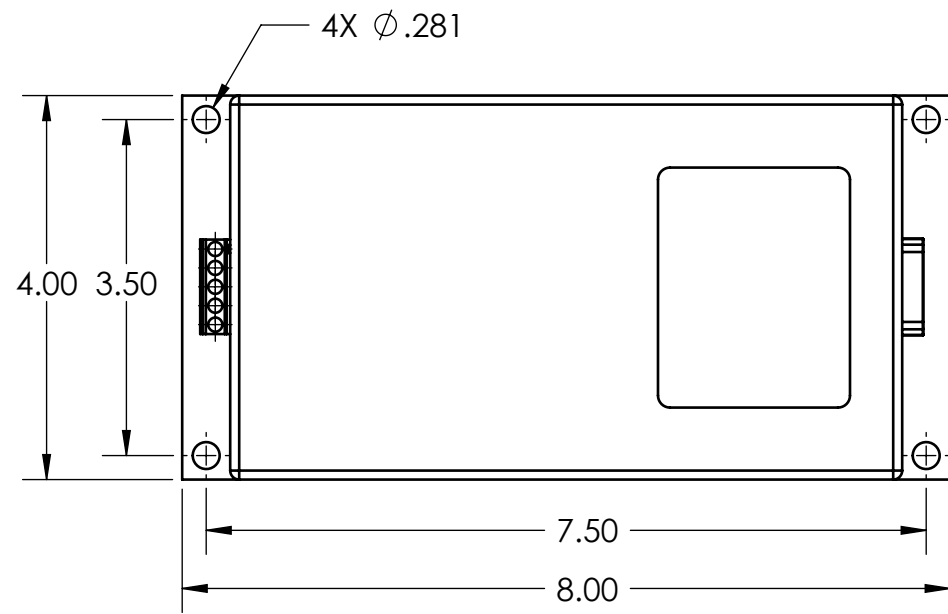
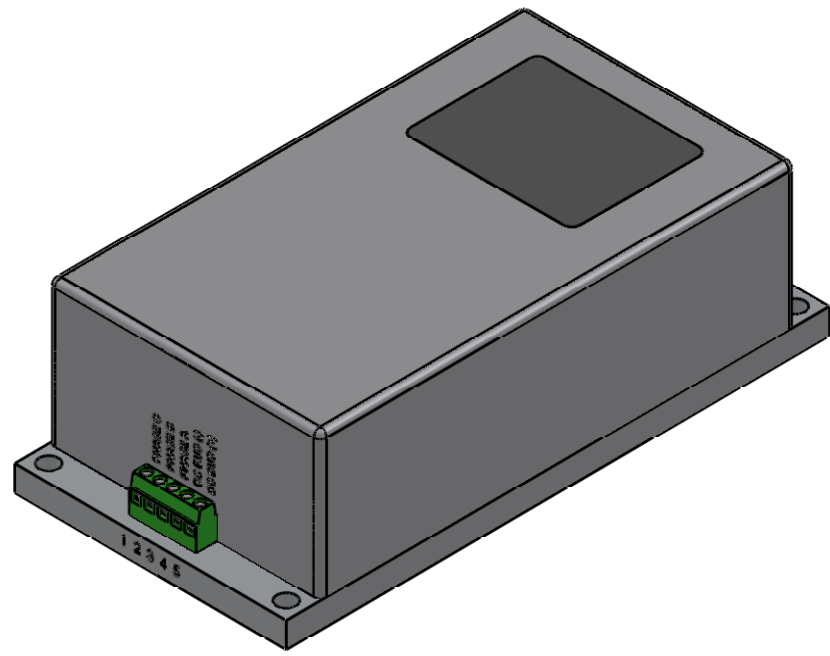


8 7 6 5 4 3 2 1

REVISIONS				
ZONE	REV.	DESCRIPTION	DATE	APPROVED



**PRELIMINARY**

**PROPRIETARY AND CONFIDENTIAL**  
 THE INFORMATION CONTAINED IN THIS DRAWING IS THE SOLE PROPERTY OF POTOMAC ELECTRIC, CORP. ANY REPRODUCTION IN PART OR AS A WHOLE WITHOUT THE WRITTEN PERMISSION OF POTOMAC ELECTRIC, CORP. IS PROHIBITED.

UNLESS OTHERWISE SPECIFIED:  
 DIMENSIONS ARE IN INCHES  
 TOLERANCES:  
 .X ± .015 ANGLES ± 0.5°  
 .XX ± .010  
 .XXX ± .005  
 SURFACE FINISH: 125  
 BREAK ALL SHARP EDGES

	NAME	DATE
DRAWN	LTS	12/22/2008
CHECKED		
ENG APPR.		
MFG APPR.		
Q.A.		



TITLE:  
**BRUSHLESS SERVO AMP.**

DO NOT SCALE DRAWING			
SIZE	DWG. NO.		REV
<b>B</b>		<b>BSA-1</b>	<b>1</b>
SCALE: 1:2		WEIGHT: 6.99	SHEET 1 OF 1

8 7 6 5 4 3 2 1